



KONICA MINOLTA

# PERFECT FOR ALL-SIZED BUSINESS

## A3 Colour bizhub C281 / C221



Scan the QR code For  
Online experience

**bizhub C281 / C221** 

Giving Shape to Ideas



The new entry level bizhub C281 series is built for growing business demands who want smaller carbon footprint with high speed printing, scanning, cloud and mobile connectivity while reducing total cost of ownership.

## OUTSTANDING PRINTING PERFORMANCE WITH KONICA MINOLTA'S PROPRIETARY EMPERON CONTROLLER

The Emperon print controller offers quality performance and with its powerful processor, it can process large data quickly while delivering quality print output. Its advanced image processing delivers richer gradations by changing dot sizes. The Emperon print controller is compatible with popular operating systems and printing environments, such as Windows, Mac and network environments.

### ➤ Standard PDL including PCL, PostScript and XPS

Various PDLs (Page Description Language) – including PCL for general business applications such as Microsoft Office, PostScript used for graphic design and DTP, and XPS which supports Windows Vista or later office systems – are supported. MacOS is also supported by the commonly used PostScript PDL.

- Easy printer management for both general users and system administrators.
- Seamless integration of document output management with a consistent user interface and functionalities across all Konica Minolta next-generation products—both printers and MFPs.
- Standard equipped with PCL / PS / XPS drivers for users to choose and match with their applications.

## SECURITY

### ➤ Copy Protect function

The Copy Protect function allows a concealed security watermark, which appears on the entire page of copies, to be added during printing<sup>1</sup>.

<sup>1</sup> when using PCL driver only.

### ➤ Functions Benefits

- Prevents unauthorised copying of print-outs
- Enhances document security

### ➤ Cloud connectivity via PageScope Mobile

- Cloud service connections such as network storage
- Information sharing and document management sharing
- Access to cloud environments

### The narrowest main unit width<sup>\*1</sup> in their class

A slim body with a width of just 559 mm makes the bizhub C281 series the narrowest<sup>\*1</sup> MFPs in their class. They can be installed in various locations in the office such as on desktop or on the floor with the optional Desk, DK-512.

<sup>\*1</sup> According to Konica Minolta research as of December 2013.

### Function-packed in a compact size

Despite their slim bodies, the bizhub C281 achieves high-speed outputs of 28 ppm in colour (A4), while the C221 deliver 22 ppm in colour (A4). Two paper cassettes and a multiple bypass tray are equipped, supporting a maximum paper capacity of 1,150 sheets. Universal Tray 1 and 2 support paper size up to B4 and A3 respectively. Users prefer to print on SRA3 paper should utilise the multi bypass tray.

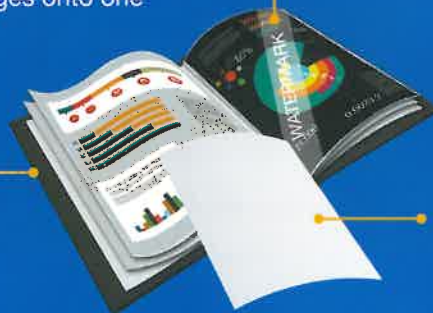
**ID (card) copy function with one-touch access.** An independent button for the frequently used ID (card) copy function is included on the control panel for easy one-touch operation.



**"N-in-one printing / copying function"** aggregates multiple pages onto one sheet to save paper.

**"Watermark security function"** adds text on the entire page of copies to prevent unauthorised duplications.

<sup>\*1</sup> When using PCL driver only.



**"Cover mode"** allows different types of paper than the body pages to be fed for the cover.

**"Blank Page Removal function"** skips blank pages contained in the original when scanning.

**High quality colour reproduction and two-colour mode.** In addition to vivid colour and monochrome outputs, a two-colour mode is also available for black + red outputs. It can be selected and used to match the document or purpose.

## Scanning Functions

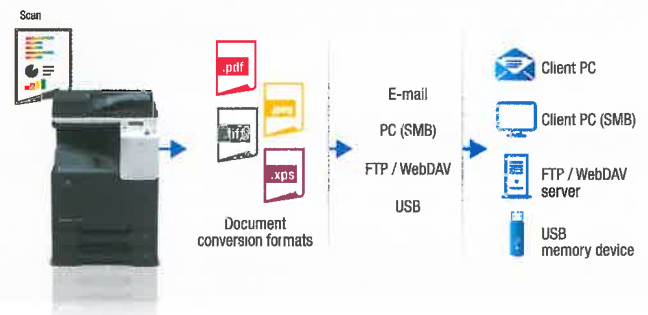
The new bizhub C281 series provides ease of use through its simple and user-friendly scanning functions. Scanned data can be sent to SMB servers, FTP servers and WebDAV servers directly or as email attachments. It helps to speed up operations and transfer of information. Users can save scanned files into various file formats including PDF, JPEG and XPS.

- Supports SMB / FTP / Email / WebDAV as destinations for scanned data
- Directly saves scanned data to USB memory devices
- Direct scan to Android devices and iPhones / iPads with PageScope Mobile.



### Send and save scanned data directly

Use PageScope Mobile to receive scanned data to iPhones / iPads and Android mobile devices. Scanned data can also be saved directly to USB memory devices without the hassle of using a PC to make scanning work quick and easy.



## High Network Connectivity

The bizhub C281 series is standard equipped with Gigabit high-speed network function to meet the network environments of large-scale offices. IP filtering and WSD (Web Services on Devices) are also supported.

- Gigabit (10/100/1000 base) high-speed networking and IPv6 compatible.
- IP filtering, WSD (Web Services on Devices), and IEEE802.1X authentication.
- Cloud connectivity via PageScope Mobile.
- Compatible with status management software (PageScope Net Care Device Manager)



## Direct printing with PageScope Mobile\* and USB memory devices

The new bizhub C281 series lets you print directly from iPhones / iPads and Android mobile devices installed with PageScope Mobile\* or from USB memory devices.

PageScope Mobile offers a completely new way of boosting productivity and efficiency. This application connects Konica Minolta office devices for wireless printing from and scanning to Apple's iPhone, iPad, iPod touch and Android device. You can print, browse

and read documents, emails and photos, and load data scanned from a bizhub MFP from just about any location.

Scanned data can also be saved directly to USB memory devices without the hassle of using a PC to make scanning work quick and easy.



Mobile for iPhone / iPad

Download • App Store



Mobile for Android

Download • Google Play

\*Free Apps (can be downloaded from Google Play or App Store).

## OUTSTANDING ENVIRONMENTAL PERFORMANCE

### ➤ Low-noise design for a quieter office

The bizhub C281 series reduces operating noise by using fewer fans for the engine and a design that minimises noise from emitting outside the machine to help maintain a quieter office.

### ➤ Simitri HD toner

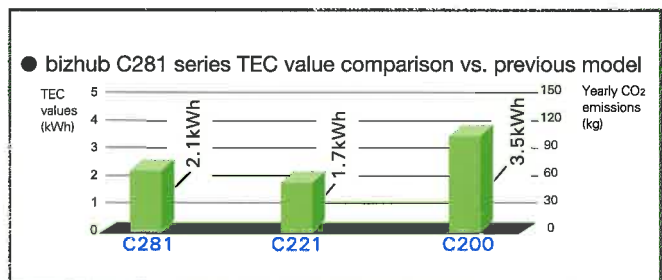
Simitri HD toner reduces environmental impact during its production and consumes less power during use, thanks to low-temperature fusing. The black toner is carbon neutral as it is produced with plant-based biomass materials.

### ➤ Power button for easy energy saving

The bizhub C281 series can easily be switched to Sleep mode by pressing the Power button. In addition, "ErP Auto Power Off" mode, which supports the ErP Directive\*, easily saves power when the bizhub is not in use.

### ➤ Easily clears Energy Star Program TEC values

The bizhub C281 series' energy-saving design clears the Energy Star Program Ver. 2.0 TEC values by a large margin. TEC values are even much lower than the previous model helping to significantly reduce CO<sub>2</sub> emissions.



\* Values for 220 to 240 V

\* TEC values applied to the International Energy Star Program Version 2.0

Yearly CO<sub>2</sub> emissions:

TEC value × 52 weeks × emission factor

(From the November, 2011 press release by Japan's Ministry of the Environment.)

\* ErP Directive, also known as Eco-design Directive, is the EU Framework Directive which defines the environmentally conscious design requirements for energy-related products.

# bizhub C281/C221



Print Speed:  
**28 / 22 ppm**  
Colour and Mono

**MAX** Power Consumption:  
**1.58 kW**

**MAX** Paper Capacity:  
**1,150** sheets

Scanning Speed:  
**22 / 28 opm**  
Colour / Mono

Scan Resolution:  
Up to **600x600** dpi

## Key Features:

Print speed A4: 28 / 22 ppm  
in colour and black & white

Paper size: SRA3 to A5, B6S\*, A6S\*  
\* S: Short edge feed

Excellent eco performance  
and eco design

User-friendly and convenient to  
meet diverse business needs

Enhanced compatibility for a more  
efficient workflow



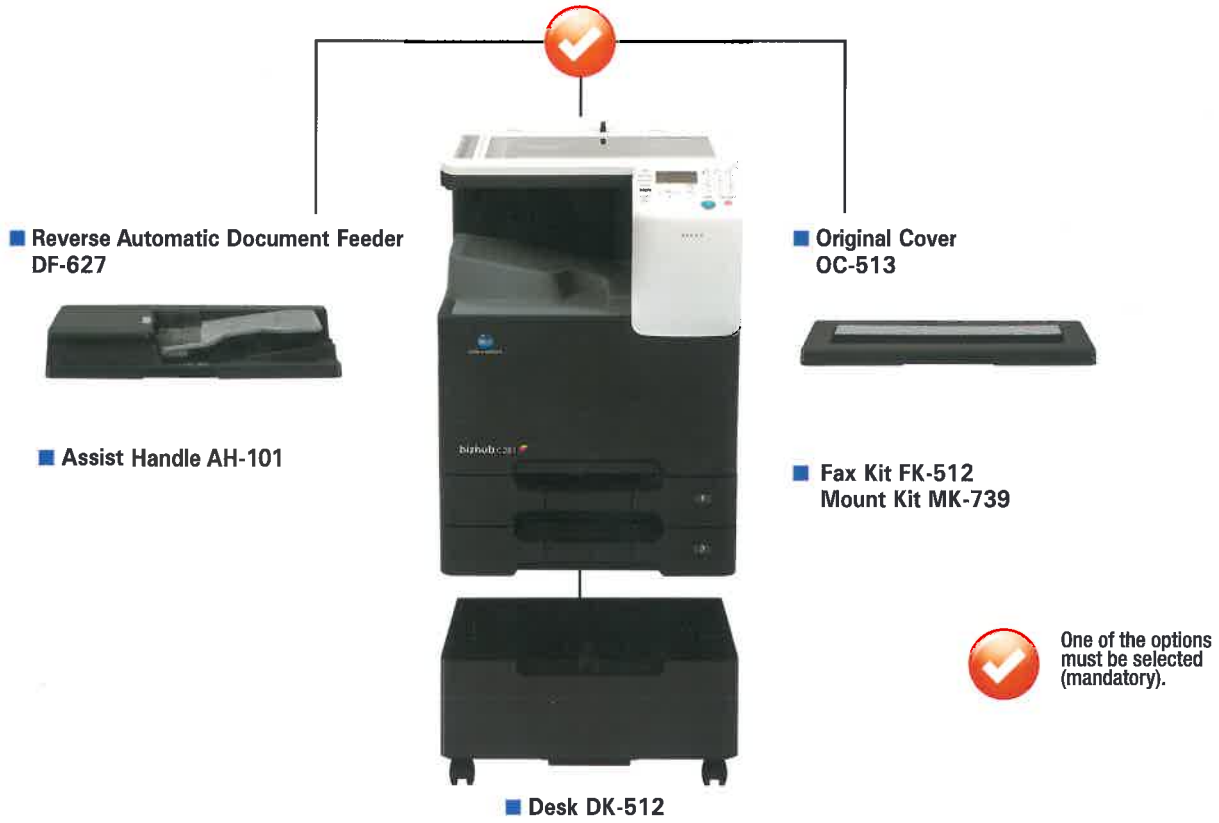
**Simitri**  
with Biomass

\*1 Output speed will be reduced for one-to-one colour copy (600 x 600 dpi) outputs.

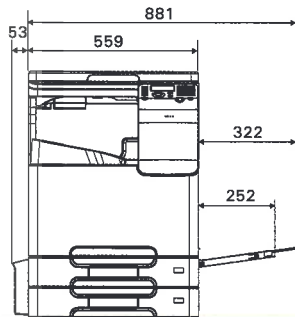
\*2 When using the Multiple Bypass Tray.

\*3 When using optional Reverse Automatic Document Feeder DF-627 (A4 simplex, 300 dpi)

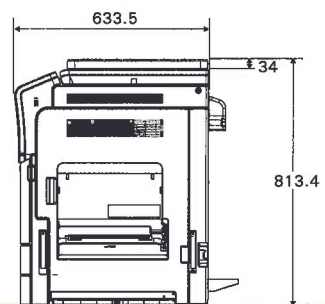
\*4 Optional



■ bizhub C281 (C221 / C221s) + OC-513

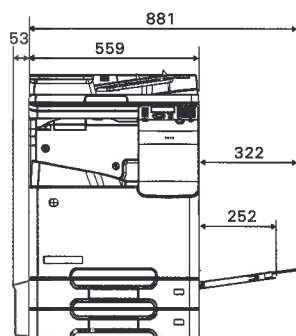


Front View

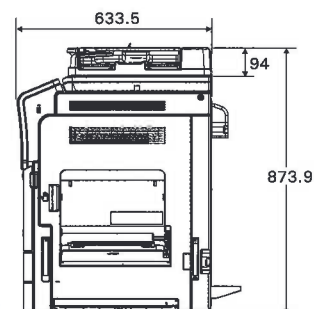


Side View

■ bizhub C281 (C221 / C221s) + DF-627



Front View



Side View

## bizhub C281 / C221 General Specifications

		bizhub C281	bizhub C221
Type	Desktop Full Colour Printer / Copier / Scanner		
Colour Support	Full-Colour		
Copy Resolution	Scan	Main: 600 dpi x Sub: 300 dpi (Max. 600 dpi)	
	Print	Main: 600 dpi x Sub: 600 dpi	
Gradation	256		
Memory Capacity (Std / Max)	2 GB / Micro SD 16 GB		
Original Type	Sheets, Books, Objects		
Max. Original Size	A3		
Output Size	SRA3 to A5 (SRA3 is available only for Multiple Bypass Tray, Tray1 is available up to B4), B6S*1, A6S*1, Custom Paper (Width: 90 to 320 mm, Length: 139.7 to 457.2 mm)		
Image Loss	Max. 4.2 mm or less for top edge, Max. 3.0 mm or less for bottom edge, Max. 3.0 mm or less for right/left edges		
Warm-Up Time**	38 sec. or less**3 20 sec. or less**4		
First Copy Out Time**5	Colour	10.2 sec. or less	
	B&W	7.8 sec. or less	
Copy Speed (A4)	28 ppm**6		22 ppm
Copy Magnification	Fixed Same Magnification	1: 0.5% or less	
	Scaling Up	1: 1.154 / 1.224 / 1.414 / 2.000	
	Scaling Down	1: 0.866 / 0.816 / 0.707 / 0.500	
	Preset	-	
	Zoom	25 to 400% (in 0.1% increments)	
Paper Capacity (80 g/m <sup>2</sup> )	Standard Tray	500 sheets 2	
	Multiple Bypass Tray	150 sheets	
Max. Paper Capacity (80 g/m <sup>2</sup> )	1,150 sheets		
Paper Weight**7	Standard Tray	60 to 256 g/m <sup>2</sup>	
	Multiple Bypass Tray	60 to 300 g/m <sup>2</sup>	
Multiple Copy	1 to 999 sheets		
Auto Duplex	Paper Size	SRA3 to A5, B6S*1, A6S*1, Custom Paper (Width: 139.7 to 320 mm, Length: 148 to 457.2 mm)	
	Paper Weight**8	60 to 256 g/m <sup>2</sup>	
Power Requirements	AC 220 to 240 V / 8 A (50 / 60 Hz)		
Max. Power Consumption	1.58 kW or less		
Dimensions [W] x [D] x [H]	559 x 634 x 778 mm (22" x 25" x 30-3/4")		
Weight	Approx. 71 kg (156-1/2 lb)		Approx. 71 kg (156-1/2 lb)
Space Requirements [W] x [D]	934 x 1,164 mm (36-3/4" x 45-3/4")		

\*1 S: Short edge feed

\*\*2 Warm-up time may vary depending on the operating environment and usage. (23 C, std. voltage)

\*\*3 The time required to start printing when both the main power and sub-power switches are turned from OFF to ON.

\*\*4 Recovery time from Sleep mode

\*\*5 A4 crosswise full size / using the first tray / scanning from the original glass surface.

\*\*6 1-to-1 copying speed in colour will be reduced for the bizhub C281.

\*\*7 Sufficient image quality may not be ensured for paper of 210 g/m<sup>2</sup> or more. Also, correct prints may not be made depending on paper types. Inkjet paper is not supported.

\*\*8 Sufficient image quality may not be ensured for paper of 52 to 59 g/m<sup>2</sup> or 210 g/m<sup>2</sup> or more.

## Scanning Specifications

Type	Full-Colour Scanner
Interface	Ethernet (10BASE-T / 100BASE-TX / 1000BASE-T)
Driver	TWAIN Driver
Protocol	TCP/IP (FTP, SMB, SMTP, WebDAV) (IPv4/IPv6)
Scanning Speed (A4 Crosswise, Simplex, 300 dpi, using ADF)	B&W: 28 opm Colour: 22 opm
Scanning Size	Max. A3
Output Format	TIFF, PDF, JPEG, XPS
Scanning Resolution	200 200 dpi / 300 300 dpi / 400 400 dpi*1 / 600 600 dpi*1
Support OS*1	Windows Vista / Vista 64bit / 7 / 7 64bit / 8 / 8 64bit / 8.1 / 8.1 64bit
Main Functions	Scan to FTP, Scan to PC (SMB), Scan to E-mail, Scan to WebDAV, Scan to USB, Network TWAIN (via Ethernet TCP/IP)

\*1 Optional Micro SD card must be installed for 600 dpi.

\*2 TWAIN driver supported OS

## Reverse Automatic Document Feeder DF-627 (Optional)

Type	Circulatory duplex system	
Support Paper Size	A3 to A5	
Mixed Size	Support	
Original Set	Centre guide	
Resolution	600 dpi support	
Support Paper Weight	Simplex: 35 to 128 g/m <sup>2</sup> Duplex/Mixed Original: 50 to 128 g/m <sup>2</sup> FAX Mode: 35 to 128 g/m <sup>2</sup> (Simplex), 50 to 128 g/m <sup>2</sup> (Duplex)	
Paper Capacity (80 g/m <sup>2</sup> )	Max. 70 sheets	
Productivity (A4 Crosswise)	Simplex	Copy (Colour / B&W): 11 / 22 opm (600 dpi x 600 dpi) Scan (Colour / B&W): 22 / 28 opm (600 dpi x 300 dpi)
	Duplex	Copy (Colour / B&W): 4 / 8 opm (600 dpi x 600 dpi) Scan (Colour / B&W): 8 / 10 opm (600 dpi x 300 dpi)
Power Requirements	Supplied from the MFP main body	
Max. Power Consumption	17 W or less	
Dimensions [W] x [D] x [H]	559 x 474 x 96 mm (22" x 19-3/4" x 3-3/4")	
Weight	Approx. 5.3 kg (11-3/4 lb)	

## Fax Kit FK-512 (Optional)

Communication	Super G3
Competible Lines	Public Switch Telephone Network, Fax Communication Line
Line Density	G3 (8 dot/mm x 3.85 line/mm, 600 x 600 dpi)
Modem Speed	2.4 to 33.6 kbs
Compression	MH/MR/MMR/JBIG
Transmission Speed	Less than 3sec. (A4, V.34, 33.6 kbps, JBIG)

\*Optional Mount Kit MK-739 is required.

## Printer Specifications

Type	Embedded	
CPU	Dual Sheeva ARM (800 MHz)	
Memory	2 GB	
Print Speed	Same as Copy Speed (when using the same original)	
Print Resolution	600 dpi x 600 dpi	
PDL	PCL 5e/c Emulation, PCL 6 Emulation, PostScript 3 Emulation, XPS (Ver. 1.0), PPMML/GA2.2, PPML VDX, PDF1.7	
Protocol	TCP/IP, LDP, IPP1.1, SNMP, HTTP	
Support OS	PCL	Windows Vista / Vista 64bit / 7 / 7 64bit / 8 / 8 64bit / 8.1 / 8.1 64bit Server 2003 / Server 2003 64bit / Server 2008 / Server 2008 64bit / Server 2008 R2 / Server 2012 / Server 2012 R2
	PS	Windows Vista / Vista 64bit / 7 / 7 64bit / 8 / 8 64bit / 8.1 / 8.1 64bit Server 2003 / Server 2003 64bit / Server 2008 / Server 2008 64bit / Server 2008 R2 / Server 2012 / Server 2012 R2 Mac OS X 10.3 / X 10.4 / X 10.5 / X 10.6 / X 10.7 / X 10.8 / X 10.9 Linux
	XPS	Windows Vista / Vista 64bit / 7 / 7 64bit / 8 / 8 64bit / 8.1 / 8.1 64bit Server 2008 / Server 2008 64bit / Server 2008 R2 / Server 2012 / Server 2012 R2
Fonts	PCL	80 Roman fonts
	PS	137 Roman Type1 fonts
Interface	Ethernet (10BASE-T / 100BASE-TX / 1000BASE-T), USB 1.1, USB 2.0, USB Host	



bizhub C281+DF-627+DK-512